

## Silent Block for Anchor Link

Technology: Compression Moulding

Basic Polymer used	Natural Rubber
Operation Temperature	-10°C to 70°C
Operational Atmosphere	Heavy Dusty /Corrosive /Salty
Operational Humidity	0 to 100%
Metal Parts Spec	Steel IS: 1875 Cl.4, IS: 2062 Fe 410 A

### Properties of Elastomer (Conventional Silent Block for Anchor Link)

Shore A Hardness	75 to 85
Tensile Strength	180 Kg/cm <sup>2</sup> Minimum.
Elongation at Break	280% Minimum.
Modulus at 200%	125 Kg/cm <sup>2</sup> Minimum.
Compression Set	25% Maximum
Ash Content	5% Maximum
Specific Gravity	1.20 Nominal
Bond Strength	500 PSI

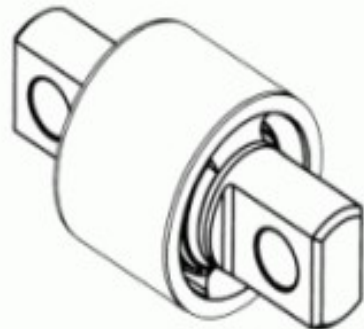
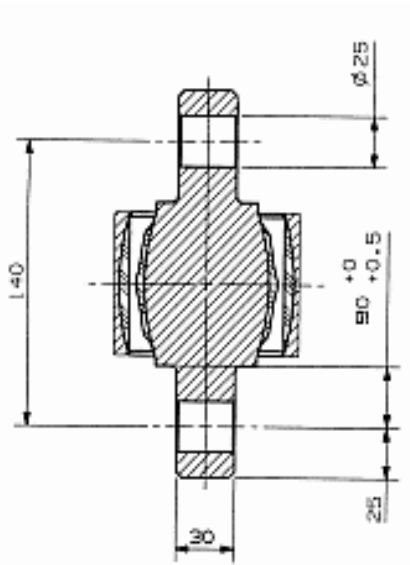
### Properties of Conventional Silent Block for Anchor Link

Conical Stiffness for 8° Deflection	Torque: 8000-10000 Kg. cm Permanent Set: 0.5° Max.
Torsional Stiffness at 8° Deflection	Torque: 8000-10000 Kg. cm Permanent Set: 0.5° Max.
Compressive Load - Deflection Characteristics	Deflection : 2 mm Load 8000 Kg. Max.

### Properties of Silent Block for Anchor Link (FIAT)

Operational Condition	Maximum Capacity
Radial Load	7300 Kg
Torsional Angle	10°
Conic Angle	10°

**Note:** Design, Dimension & Properties can be changed to suit customer's requirement. Diameter can be upto 300 mm



Silent Block for Anchor Link